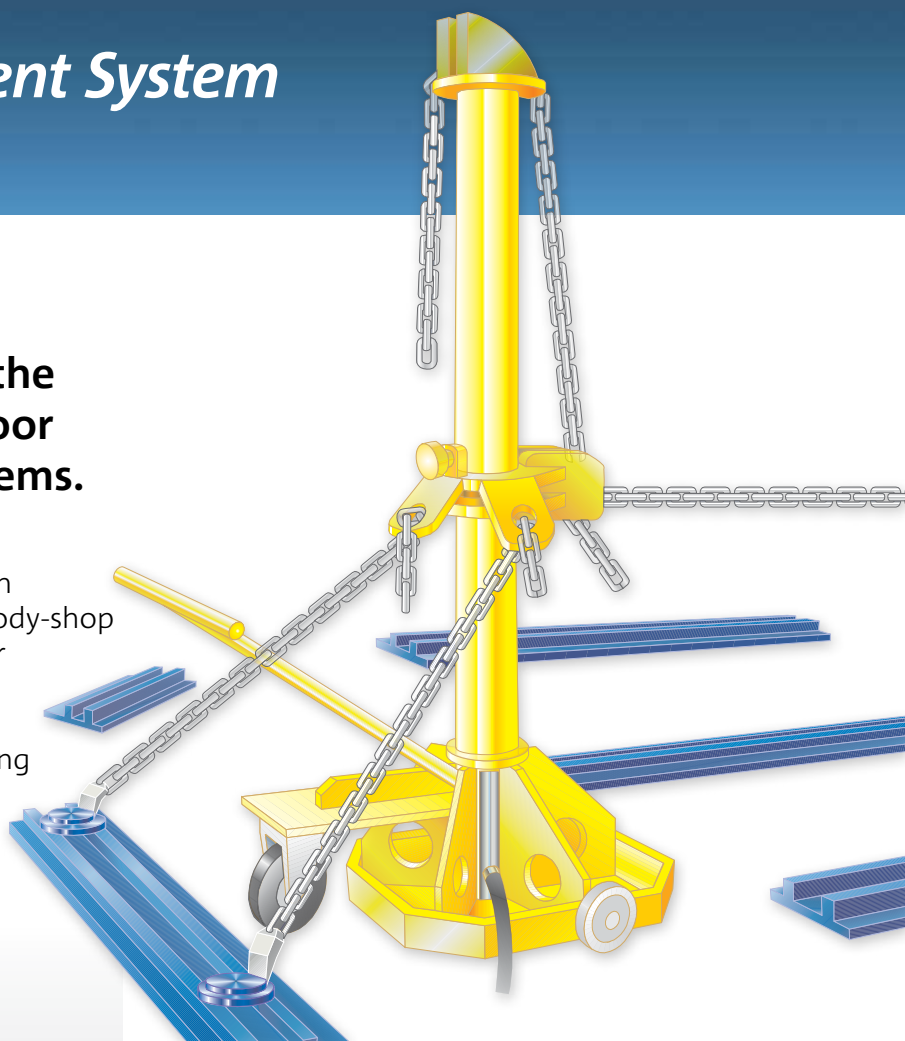


Performance Track 2500

Floor Mounted Alignment System

Performance Track 2500 - the Car-O-Liner solution for floor based collision repair systems.

The Performance Track system has been specifically designed for the modern body-shop where specific equipment is needed for different types of vehicle damage (i.e. light vs. heavy damage) Car-O-Liner's newly developed 10-ton hydraulic pulling tower freely operates on any configuration of floor tracks, providing full freedom to direct the pulls necessary for correct repair.



Features and Benefits

- Affordable and space efficient. Ideal for multiple shop layouts where stall space cannot be dedicated to a conventional rack or bench system.
- Fast, chainless anchoring and easy set-ups for pulling allow for quick measuring and repairs.
- The powerful pulling tower uses standard 10-ton hydraulics and provides 360° pulling access.
- Reversible bench mountings hold virtually any full-frame car, narrow-frame truck or unibody vehicle.
- Finely milled steel tracks provide a smooth level surface for to-the-millimeter accuracy.
- Precise information with accurate, real-time measuring throughout the process when used with the Car-O-Tronic Vision Measuring System and Car-O-Data, the world's leading vehicle measurement database



Performance Track 2500 uses existing Car-O-Liner holding accessories, specially clamps and truck repair system.



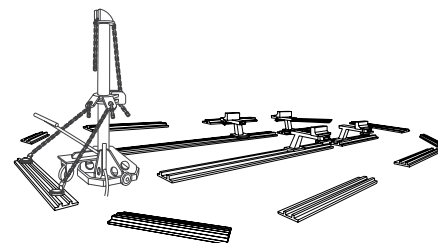
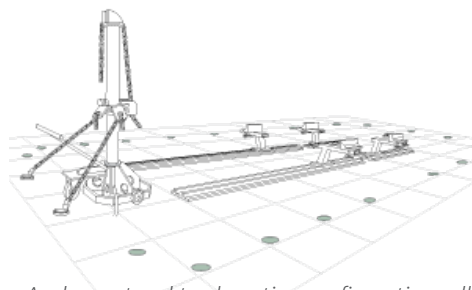
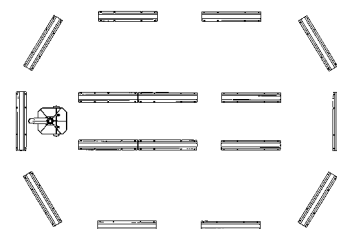
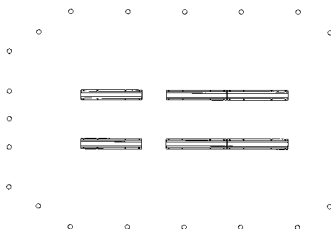
Track section

Performance Track 2500 answers the needs of the modern body-shop – with specific equipment for different types of vehicle damage.

Performance Track 2500 features 1,2 meter floor track sections which can be freely installed in the pattern that best suits each body shop. The track sections hold a wide range of vehicle holding, support and repair components from the Car-O-Liner accessories range. Simple chain-locking or structural vehicle clamping can be used for quick repair of light damage. The Performance Track 2500 easily adapts to the specific needs of your body-shop, with space saving and affordable equipment!



Anchor pot



Anchor pot and track section configurations allow PT 2500 to easily adapt to any workshop!

Performance Track 2500 is fully compatible with any of Car-O-Liner's measuring systems and our extensive bank of vehicle data.



Performance Track 2500 Components

- Floor Track sections (B86)
- Pulling tower (D19)
- Bench mountings (B39BR)
- Camlocks (B626)
- Universal chassis clamps (B106)
- Chain 2,4 m, with hooks
- Anchor pots
- 10 ton hydraulic cylinder and pump

Optional Equipment

- Measuring bridge support (M405)
For use with Car-O-Tronic measuring systems
- Chain holder (B631)
- To lock holding chains of pulling tower. *Needed if floor segments are used instead of anchor pots*



Follow us on Facebook



Discover us on car-o-liner.com



Watch us on YouTube

www.car-o-liner.com



CAR-O-LINER®
Your safety - our mission

CAR-O-LINER is recognized for its leadership in the marketplace by continuously delivering high quality products and exceptional customer service.

Distributor